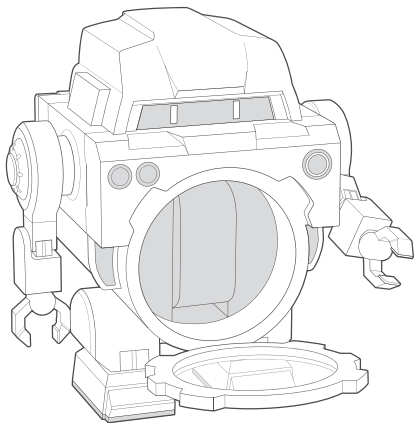




# RW1

## Automatic Watch Winder User Manual



## Table of Contents

Overview .....	1
Package Contents .....	2
Product Diagram .....	3
Operation .....	5
FAQ .....	8

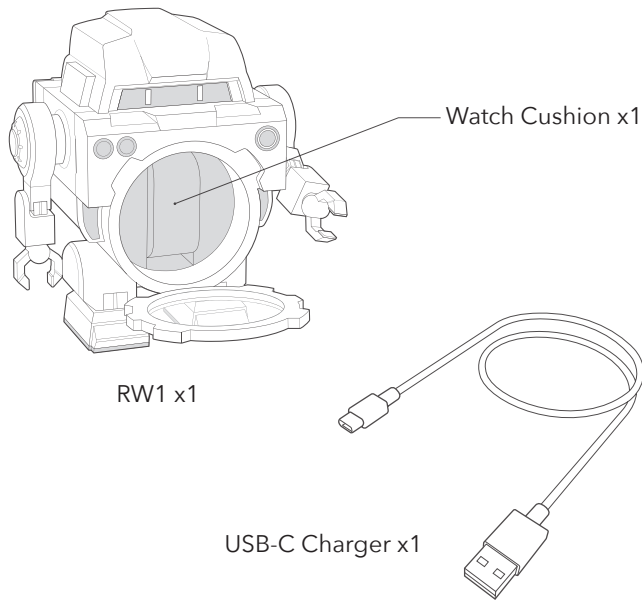
## Overview

Thank you for purchasing the RW1 watch winder. Your new winder is suitable for any watch with an automatic movement. Please read through all instructions prior to operating.

### Note:

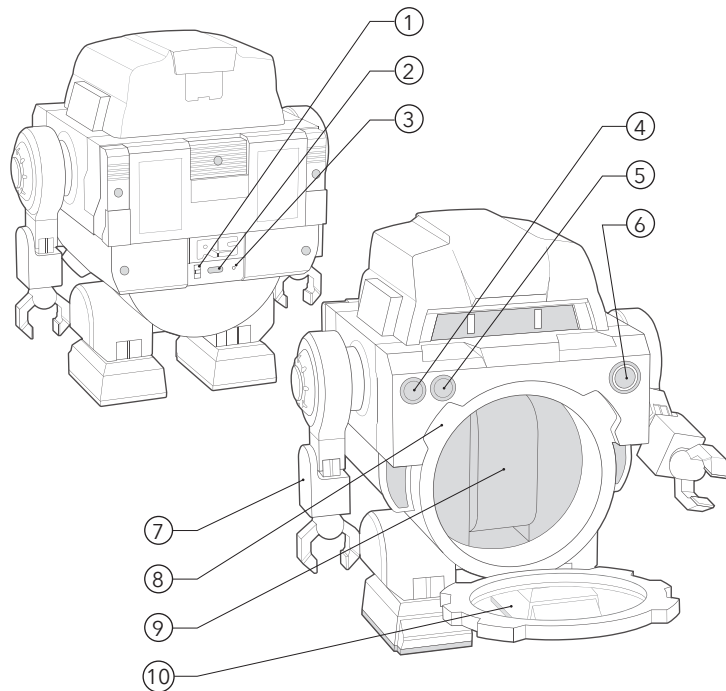
The RW1 contains a lithium-ion battery. Please store correctly and pay attention to regulations when traveling. The RW1 also contains ultraviolet LED lights. In order to protect eyes and skin from exposure, please do not attempt to remove or alter the lights in any way.

## Package Contents



## Product Diagram

1. Winding mode switch
2. USB-C port
3. Charging light indicator
4. UV light power button
5. LED eye power button
6. Winder power button
7. 4-way articulating arm
8. Magnetic closure
9. Watch cushion
10. Acrylic window



## Operation

We recommend a full charge prior to use. While charging, the indicator light is red. Once fully charged, the light will turn green. The winder can also be used while plugged in.

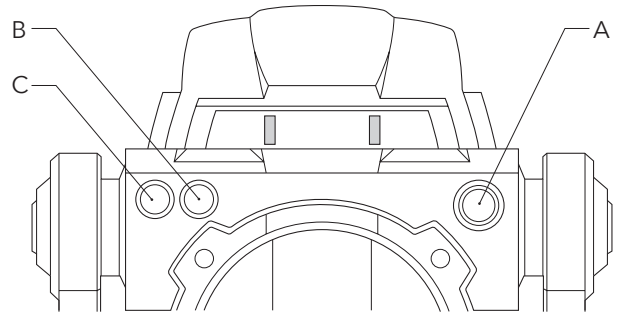
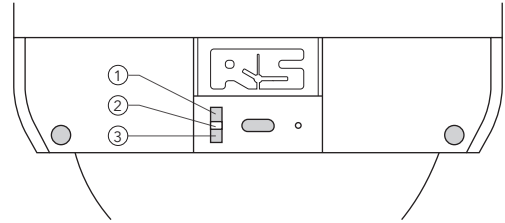
There are three winding settings:

1. Clockwise 700 TPD
2. Clockwise, counterclockwise 700 TPD
3. Clockwise, counterclockwise 1100 TPD

Press power button A to start the winder. It will stay illuminated while the winder is on. Press again to turn off.

Press power button B to turn on the LED eyes.

Press button C to turn on the UV lume charger. It is not recommended to leave the UV light on for prolonged periods of time.



---

## Operation

---

More information on the winding settings:

Setting 1:

Clockwise rotate for 2 minutes, stop for 16 minutes, repeat (around 700 rotations per day)

Setting 2:

Clockwise rotate for 2 minutes, stop for 16 minutes, counterclockwise rotate for 2 minutes, stop for 16 minutes, repeat (around 700 rotations per day)

Setting 3:

Clockwise rotate for 2 minutes, stop for 10 minutes, counterclockwise rotate for 2 minutes, stop for 10 minutes, repeat (around 1100 rotations per day)

---

## FAQ

---

*Will a watch winder be harmful to my watch?*

No, when used properly, a watch winder will cause no harm to your watch. A watch movement requires a minimum number of turns per day (TPD) to keep running. Most watches have a safety mechanism to prevent the over-winding of the mainspring, so if the minimum TPD is exceeded, no harm is caused.

*How long does the battery last?*

The battery can last up to 17 days of continuous winding on setting 1.

*What warranty does it come with?*

The RW1 comes with a 1 year limited warranty which starts on the date of purchase. This limited warranty covers any manufacturing or workmanship defects that might occur. Please visit our website for full terms and conditions.

robostands.com